

InteliMains®

Mains Supervision Controller



Description

InteliMains® is a member of Inteli family designed for multiple (up to 31) gen-sets operating in parallel to mains. InteliMains® controller connects the group of gen-sets to the mains.

InteliMains® allows reverse synchronising of the gen-set group operating in multi-island mode to the mains, controls mains C.B., measures mains power, power factor, reactive and apparent power, 3 phase system import/export.

InteliMains® controller is equipped with a powerful graphic display. Icons, symbols and bar graphs for intuitive operation together with high functionality set new standards in gen-set control.

General Features

- Mains measurement: U, I, Hz, kW, kVA, kVA, PF, kWh, kVAhr
- Bus measurement: U, I, Hz
- Sum gen-sets kWh and kVAhr (with IG-COM)
- Basic functions
 - Mains failure detection using integrated mains protections
 - Selectable partial or full MCB control
 - Configurable level switches based on mains import or object consumption
 - Load Shedding - 3 steps; selectable based on gen-sets power or mains import
 - High voltage application support
 - Display 128x64 pixels
- Event based history file (~ 120 records), RTC, statistics
- Inputs and outputs configurable for various customer needs
- RS232 interface with ModBus protocol support; Analog/GSM/ISDN modem communication support; SMS sending on detected failure
- Dimensions 180x120 mm (front panel)
- Sealed to IP65

Upgrade kits

Load Sharing (IM-PCLSM)

- Automatic MCB synchronising via Load Sharing line
- 4 additional programmable binary inputs and outputs

Load Sharing, Communication & Power Management (IM-PCLSM + IG-COM)

- Automatic MCB synchronising and power control via Load Sharing line
- Gen-set power management common outputs for system control

- Power control modes:
 - Import/Export (matches predefined mains Import/Export value)
 - Analog extern (runs gen-sets at power level given by an analogue input)
 - Temp by Power (runs gen-sets at power level needed to match predefined temperature measured at an analogue input)
- Voltage matching during synchronising
- Mains import PF control in parallel to mains
- Interface to supervision system

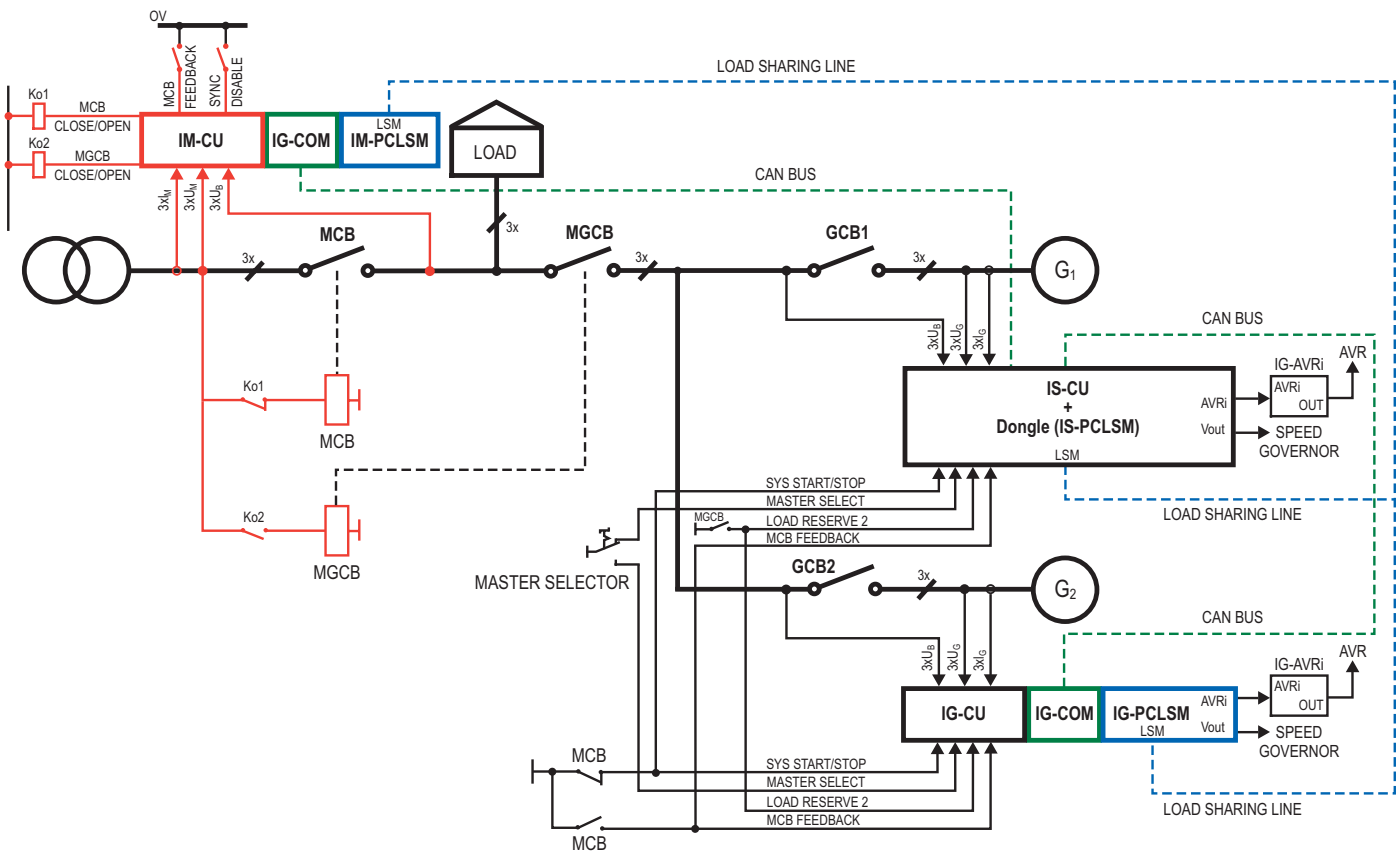
Benefits

- Easy solution even of complex systems with group of gen-sets - less wiring and components
- Graphical site schematic for easy site overview - aggregates on one place all important system parameters
- Many types of communication - easy supervision and servicing
- Perfect price/performance ratio



InteliMains®

Mains Supervision Controller



Extension features

- **IG-IOM** (4 analogue inputs, range 0-2400 Ω; 8 binary inputs; 8 binary outputs; 1 analogue output)
- **IGS-PTM** (4 analogue inputs, ranges 0-250 Ω / 0-20 mA / 0-100 mV; 8 binary inputs; 8 binary outputs; 1 analogue output)

Integrated protections

- 3 phase integrated mains protections (U + f), voltage unbalance
Mains IDMT overcurrent + Shortcurrent protection, current unbalance
- Vector shift protection

- All binary/analogue inputs free configurable for various protection types: Warning / Write history / Write history + Active call
- Phase sequence supervision

Communication extension features

- **IG-IB** (Ethernet/Internet communication support; multiple gen-set control via Internet; active e-mails on gen-set failure; Internet dial-up / callback function)
- **IG-MU** (direct or modem control of multiple gen-sets; RS422 / RS485 / ModBus support for direct connection; Analog / GSM / ISDN modem support; modem callback function)

- **WinEdit** - free PC software for configuration and supervision of one IG/IS controller (gen-set); direct / modem / Internet connection
- **MultiEdit** - free PC SCADA software for supervision of a group of IG/IS controllers (gen-sets); easy site overview, including MCB state and load consumption

- **IGS-LOG** - PC software for long-term data logging from site with multiple gen-sets; allows displaying of a common history from all gen-sets on site for easy problem finding
- **Supervisor** - automatic data acquisition PC software; periodically downloads data from multiple sites via modem
- **I-RD** - Remote display, connected to RS232 interface; up to 1,2 km away from the main controller, offers the exact copy of controller's front panel



Manufacturer:
ComAp, spol. s r.o.
Czech Republic
Phone: +420 266 790 611
Fax: +420 266 316 647
E-mail: info@comap.cz
Internet: www.comap.cz

Local Distributor
Power Drive Systems
Generator Control Specialists
PO Box 30
Grange Qld 4051
Ph 0500 800 225
Fx 07 3350 1654